

UMTS MicroSphere

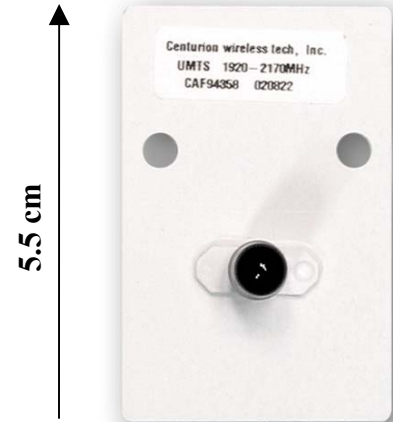
Model Number:

Omnidirectional In-Building Antenna

IF2100

Specifications:

Element Type	Microstrip
Frequency Range	1920-2170 MHz
Peak Gain	3 dBi
Polarization	Linear
Impedance	50 ohms
Maximum Input Power	50 watts
VSWR (Min. Performance)	2:1
Dimensions (L x W x T)	5.5 x 3.6 x 1.5 cm
Coating	Acrylic
Operating/Storage Temperature	-40° to +70°C



Mounting:

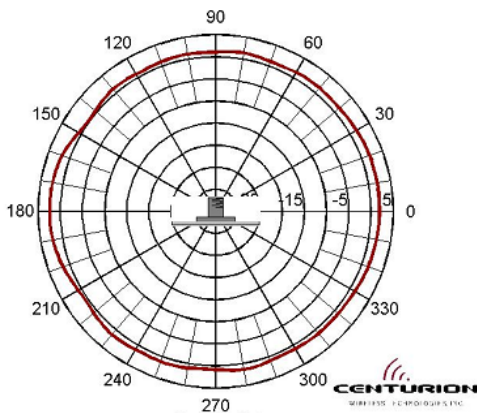
- Include nylon screws for mounting to ceiling tile or finished ceiling

Cables & Connectors:

Model Number	Reference Number	Connector
IF2100-SF00	CAF94358	SMA Female Panel

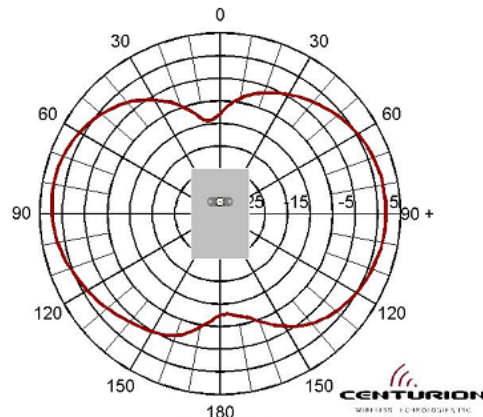


Pattern data files for SitePlanner are available at www.centurion.com or www.wirelessvalley.com.



Azimuth Plane

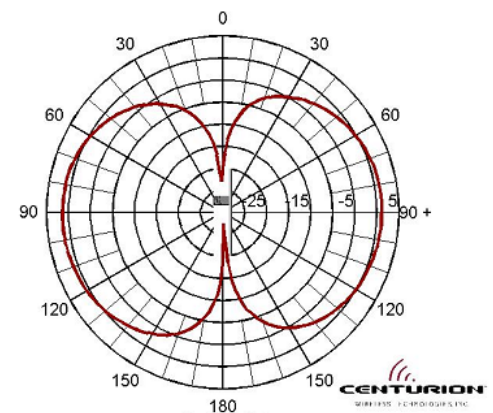
Cut perpendicular to the antenna, parallel to the connector/cable exit, perpendicular to the polarization



Elevation Plane

$\phi = 0$

Cut parallel to the antenna, perpendicular to the connector/cable exit, parallel to the polarization axis



Elevation Plane

$\phi = 90$

Cut perpendicular to the antenna, parallel to the connector/cable exit, parallel to the polarization axis

Specifications subject to change without notice.

IF2100a - 4/28/04



3425 N.44th Street, LINCOLN, NE 68504 USA
 PHONE: 402.467.4491 • FAX: 402.467.4528
 TECHNICAL SUPPORT: 888.454.6914

www.centurion.com • sales@centurion.com

Copyright © 2004 Centurion Wireless Technologies, Inc. All Rights Reserved

